

Freedom Accessible Shower 54" x 31"



Shower shown with available accessories
Shower stall comes standard in white
Made in America

Right drain shown
Lifetime Limited Warranty

Model APF5430BF5P

54" x 31" x 77 3/4"

5-piece for remodeling

1" barrier free threshold
with pre-leveled and
reinforced shower base
for easy installation

1 molded soap/foot ledge

Durable, luxurious and easy
to clean applied acrylic
fiberglass with 8" tile pattern

Fully reinforced backing in
walls offers strength and
easy installation of
accessories

Accessories available:
Grab bars, folding shower
seat, collapsible water
retainer, weighted shower
curtain and rod, slide bar
with handheld shower,
pressure balance valve,
caulkless drain

FREEDOM SHOWERS

MODEL: APF5430BF5P Freedom Accessible Roll-In Shower Submittal Data

Product Features

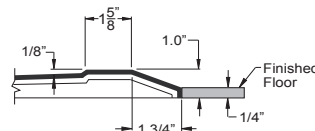
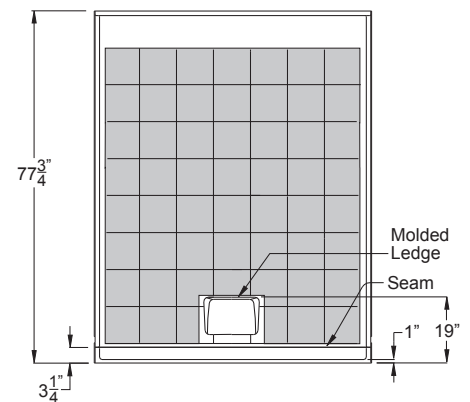
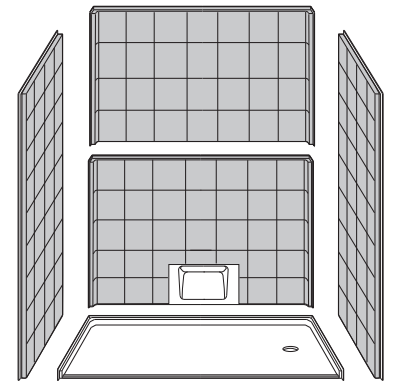
- 54" x 31" x 77 3/4"
- Interior Dimension: 51 3/4" x 28 5/8"
- 5-piece for remodeling
- 1" Barrier free threshold with pre-leveled and reinforced shower base for easy installation
- 1 Molded soap/foot ledge
- Fully reinforced backing on walls
- Durable, luxurious and easy to clean applied acrylic with 8" tile pattern
- Textured slip-resistant floor
- Left or right drain location

Code Compliance

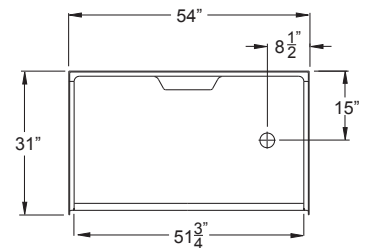
- ANSI Z124.2 Standards for Plastic Showers
- NAHB (Home Innovation Research Lab)
- HUD
- FHA
- CSA

Optional Accessories (Installed at job site)

- Collapsible Water Retainer
- Folding Shower Seat
- Caulkless Drain
- Grab Bars
- Shower Rod and Curtain
- Pressure Balance Valve with hand-held Shower and Slide Bar

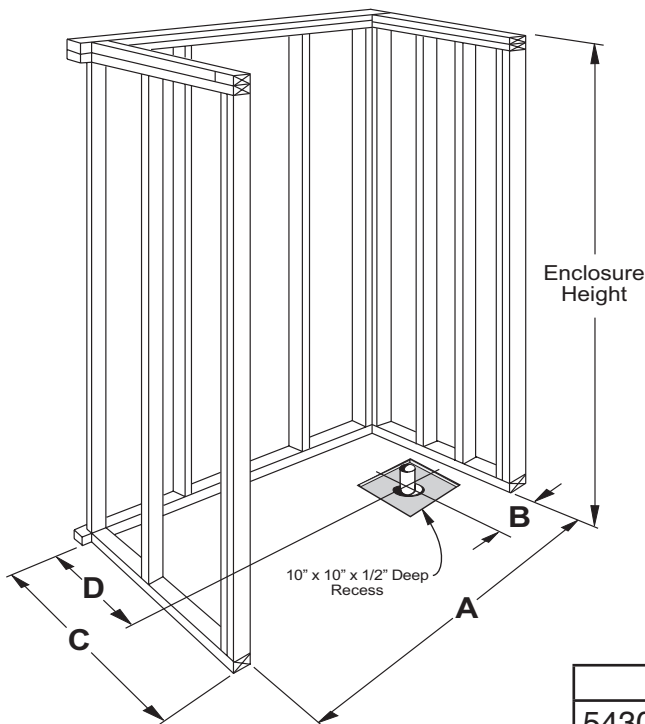
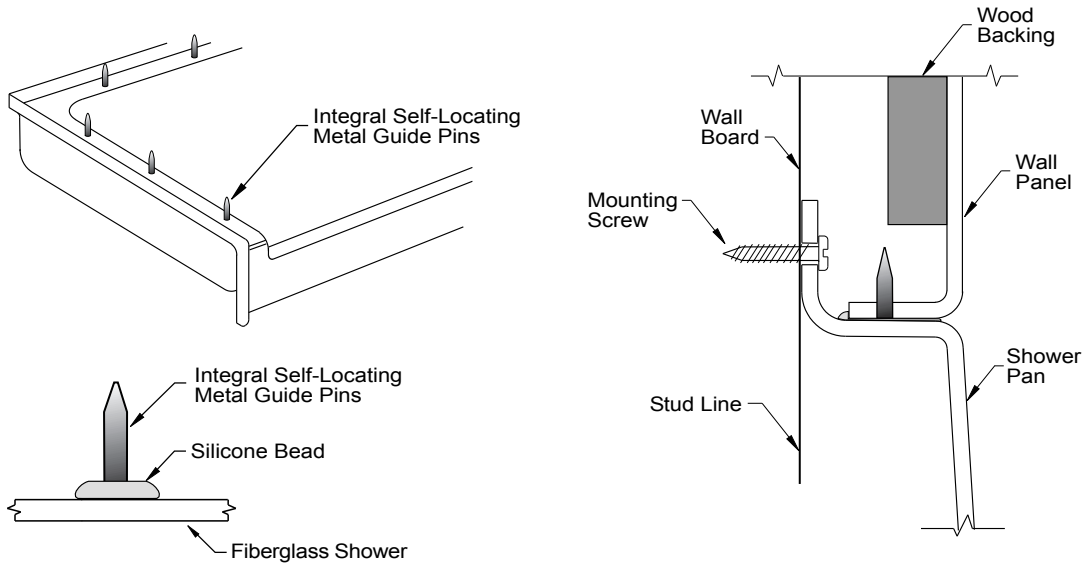


THRESHOLD VIEW



FREEDOM SHOWERS

MODEL: APF5430BF5P Freedom Accessible Roll-In Shower Submittal Data - Installation



	A	B	C	D
5430 5P	54 1/4"	8 9/16"	31"	15"