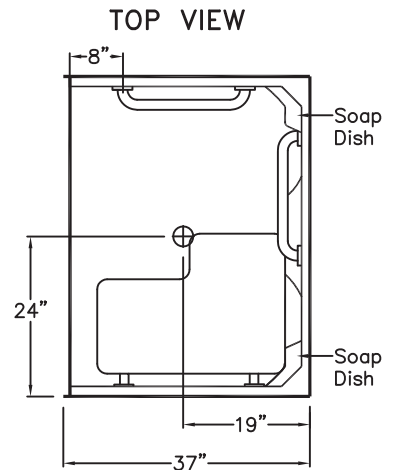
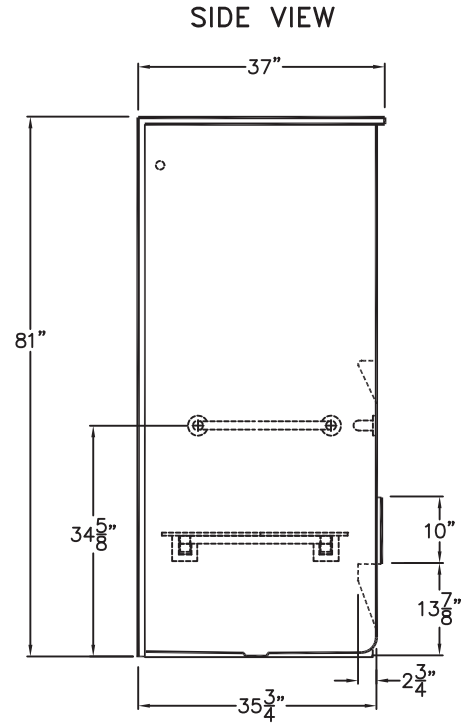
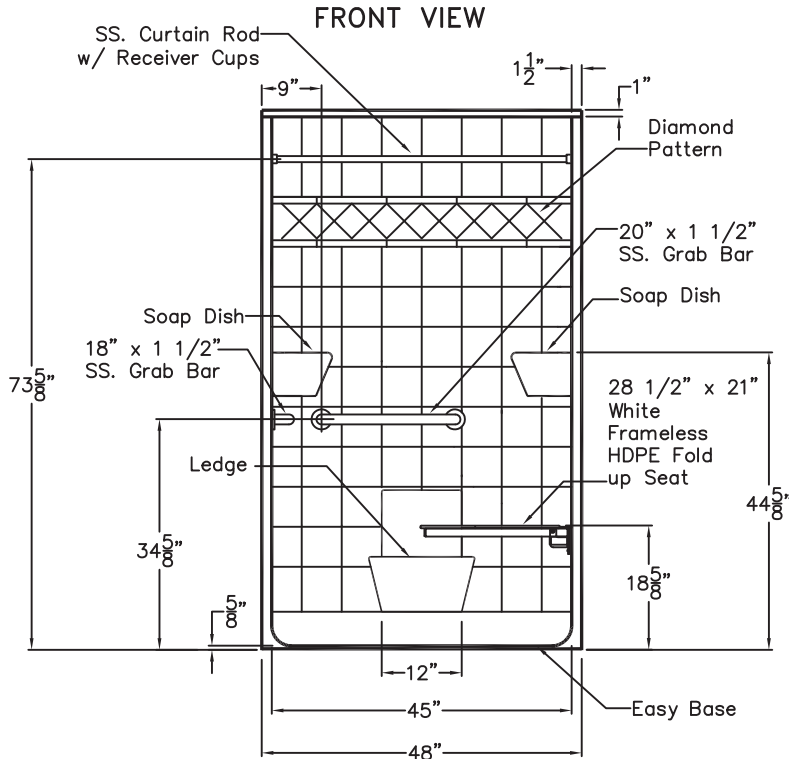


## One Piece Accessible Shower

### SUBMITTAL DATA



### Accessible Shower Stall

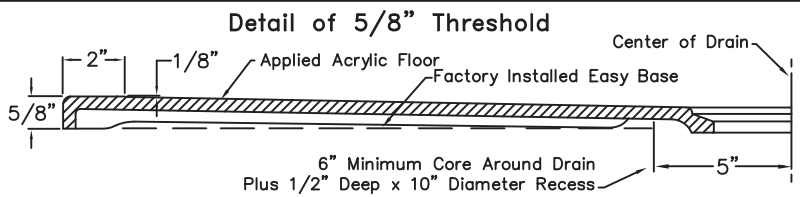
The shower enclosure shall be Model APTXST 4836 BF left. Finished surface shall be of a sanitary grade applied acrylic. The base shall be attached to the sump of the unit in such a manner to form an integral part with an inner and outer coating of polyester resin. The unit shall have outside dimensions of 48" x 37" x 80 7/8". Unit complies with UPC, CSA B45.5, HUD-UM73, ANSI Z124.1.2 and Home Innovation Research Lab.

The enclosure can be equipped with the following installed accessories:

- 1) One 20" x 1 1/2" diameter stainless steel horizontal grab bar on the back wall,
- 2) One 18" x 1 1/2" diameter stainless steel horizontal grab bar opposite the seat,
- both with 1 1/2" statute clearance, mounted with stainless steel bolts, and secured from the rear with 3" x 3" x 11 gauge metal mounting plates,
- 3) 28 1/2" x 21" frameless white HDPE fold up seat,
- 4) One inch diameter stainless steel curtain rod with receiver cups,
- 5) Tile finish,
- 6) Diamond accents,
- 7) Molded ledges on the back wall,
- 8) Factory installed Easy Base self sustaining bottom,
- 9) 5/8" threshold.

Available Options: 1) Fold up seat, 2) Recessed soapdish, 3) Valve package.

**STATE HANDING WHEN ORDERING  
HANDED BY THE VALVE  
Left Hand Shown, Right Available**



DUE TO THE NATURE OF THE MATERIALS INVOLVED, UNIT DIMENSIONS MAY VARY + 1/2 INCH.

### ACCESSIBILITY PROFESSIONALS

Approved By Print Name:

Drawing#: APTXST 4836 BF .625 HBW HSW  
FHDP CR Easy Base Left

Approved By Signature:

Date:

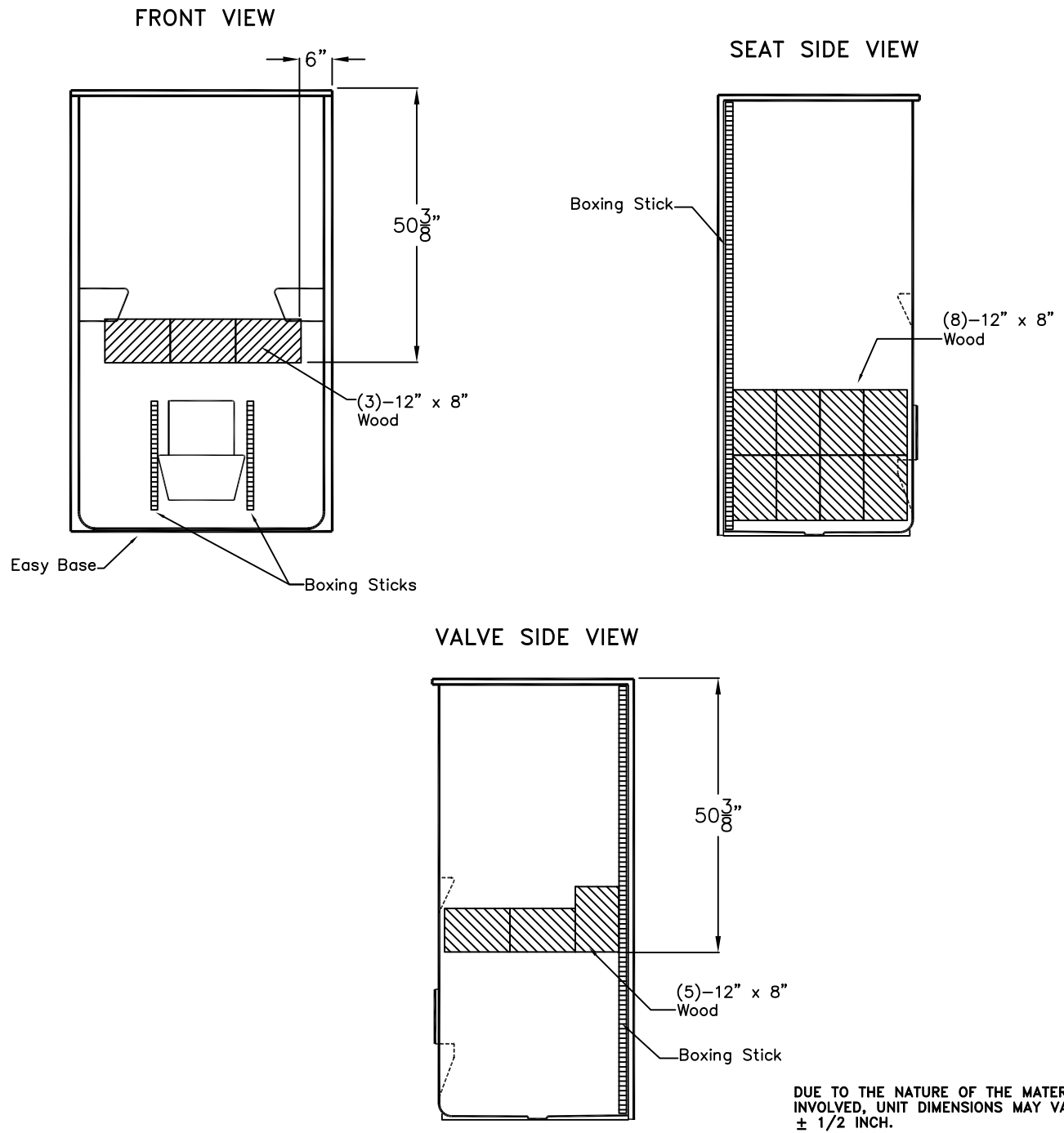
Date: 6-22-07

Revised: 2-10-17

Quote No.:

# Board Placement Drawing

## SUBMITTAL DATA



Job Name:		ACCESSIBILITY PROFESSIONALS	
Approved by Print Name:		Drawing#: APTXST 4836 BF .625 HBW HSW FHDP CR Easy Base Left-BP	
Approved by Signature:	Date:	Date: 6-20-07	Revised: 2-10-17
Rep.:	Wholesaler:	Quote No.:	