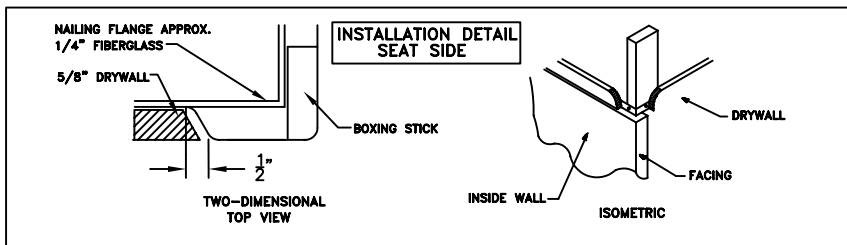
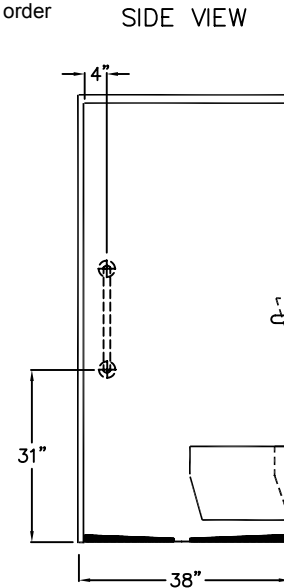
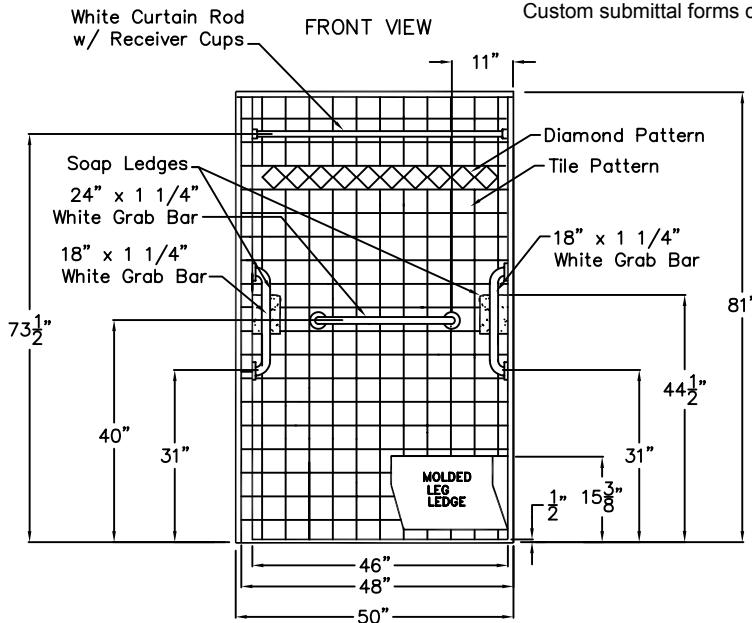


Accessible Shower 50"x38" O.D.

Submittal Information; All accessories shown are optional
Custom submittal forms completed with each order



Accessible Shower Stall

The shower enclosure shall be APF Model APTXST5038BF.5 right or left. Finished surface shall be of a sanitary-grade polyester Gelcoat exhibiting a minimal thickness of 15 dry mills, and finished cured Barcol hardness of 80-90 as tested with ASTM D-2583. Unit construction shall be of molded reinforced fiberglass content. The base shall be attached to the sump of the unit in such a manner to form an integral part with an inner and outer coating of reinforced polyester resin. The unit shall meet ANSI Z124.2, BOCA, NAHB, UPC, and shall meet the requirements of Southern Building Code.
Framing Coordination: Framing pocket 48" x 38". Add 1/4" to width for required installation wiggle room. Refer to installation instructions for further details.

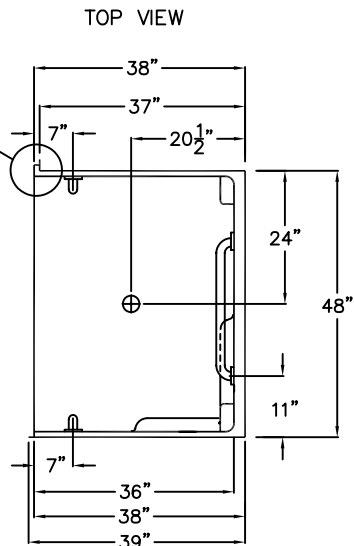
The enclosure shall be equipped with the following installed accessories:

- 1) ONE 24" x 1 1/4" WHITE HORIZONTAL GRAB BAR ON BACK WALL.
- 2) TWO 18" x 1 1/4" WHITE HORIZONTAL GRAB BARS, ONE ON EACH SIDE WALL,
- 3) ALL GRAB BARS ATTACHED WITH STAINLESS STEEL BOLTS, WITH 1 1/2" CLEARANCE.
- 3) ONE INCH DIAMETER, 18 GAUGE WHITE CURTAIN ROD WITH RECEIVER CUPS ON LEFT SIDE,
- 4) MOLDED SOAP DISHES, 5) LOW MOLDED LEDGE, 6) TILE PATTERN, 7) DRYWALL RECEIVER FLANGE,
- 8) DIAMOND PATTERN, 9) 1/2" THRESHOLD.

THIS UNIT FEATURES THE OUTSIDE DIMENSIONS OF 50" OF OVERALL WIDTH. THIS DOES NOT ALLOW FOR FULL ENCLOSURE OF THE BOLTS THAT ARE USED TO SECURE THE BARS AND SEAT IN PLACE. THE BOLT

THIS MAY REQUIRE THE NEED TO NOTCH STUDS TO ALLOW BOLT CLEARANCE FOR INSTALLATION. FOR A DRY WALL ENCLOSED FIRE WALL INSTALLATION, ADJUSTMENT OF THE WALLBOARD MAY BE NECESSARY TO PROVIDE CLEARANCE OF THE BOLT (S) WHILE MAINTAINING THE INTEGRITY OF THE DRYWALL ENCLOSED FIRE WALL ENCLOSURE.

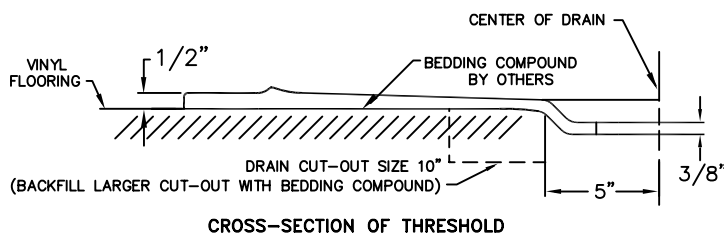
NOTE: THIS UNIT REQUIRES NO CAULK BRASS DRAIN



VALVE PKG.
THIS SIDE

NOTE: DO NOT ROUGH-IN ON THE VALVE SIDE UNTIL THE UNIT IS RECEIVED AND IN PLACE.

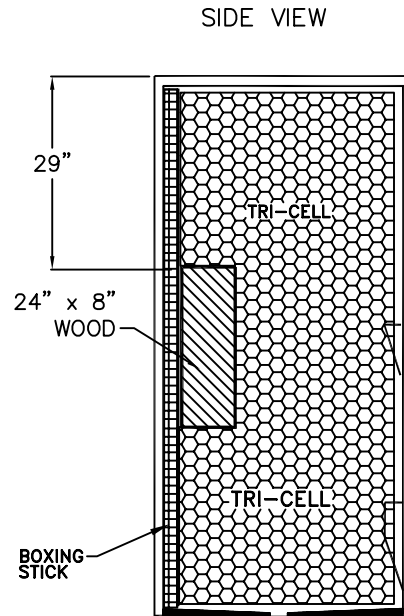
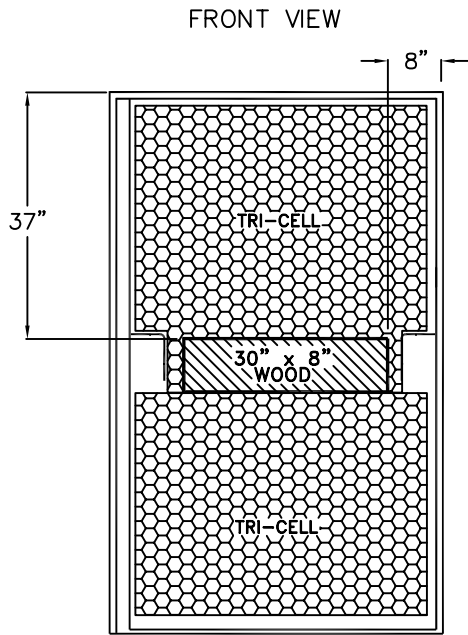
DUE TO THE NATURE OF THE MATERIALS
DIMENSIONS MAY VARY ± 1/2"



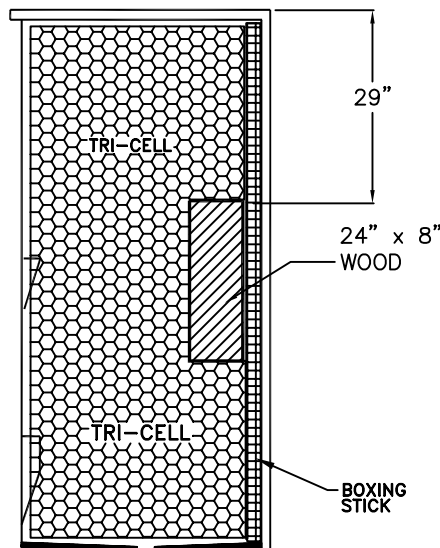
ACCESSIBILITY PROFESSIONALS	
Drawing#: APTXST5038 BF.5 WHBW WVS(2) WCR	
Date: 5-23-00	Revised: 1-4-12
Quote No.:	

Board Placement

SUBMITTAL DATA



SIDE VIEW



DUE TO THE NATURE OF THE MATERIALS
DIMENSIONS MAY VARY $\pm 1/2"$

Job Name:	ACCESSIBILITY PROFESSIONALS
Model No.:	Drawing#: APTXST5038 BF.5 WHBW WVS(2) WCR-BP
Approved by:	Date Approved: Date: 7-25-00 Revised: 1-4-12
Rep.:	Wholesaler: Quote No.: